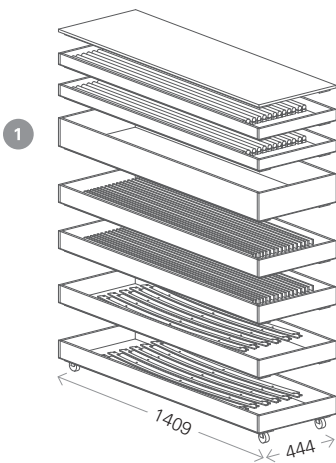


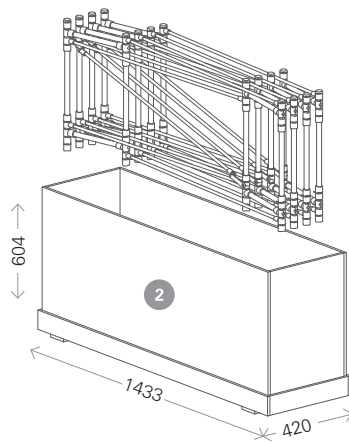
1 Teiletletts

1 *Part-Tableau*



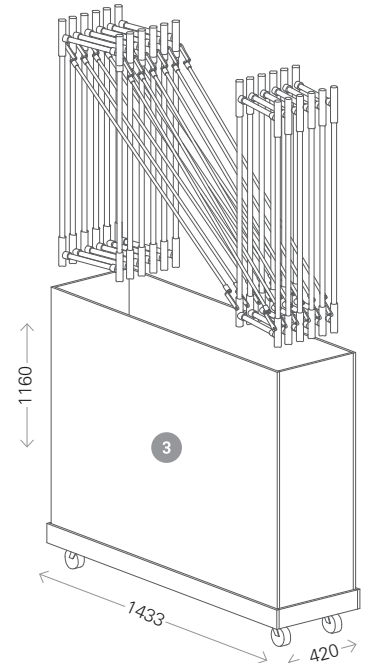
2 M_T Box

2 *M_T Box*



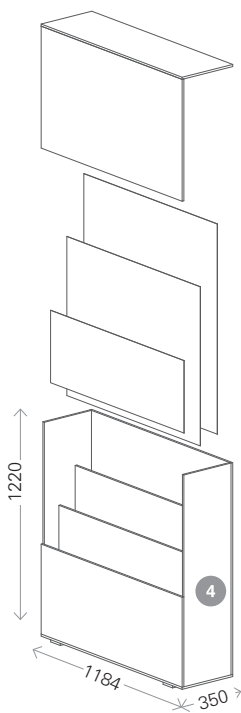
3 M_B Box

3 *M_B Box*



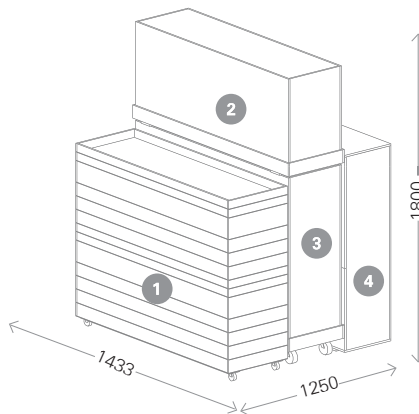
4 Grafik_Box

4 *Graphic_Box*



Verpackung Gesamt

Overall packing



ca. 350 kg entsprechen ca. 9m Wand
approx. 350 kg according to a approx. 9m Wall

